

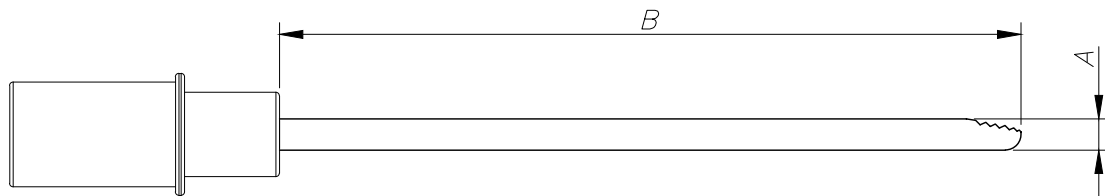
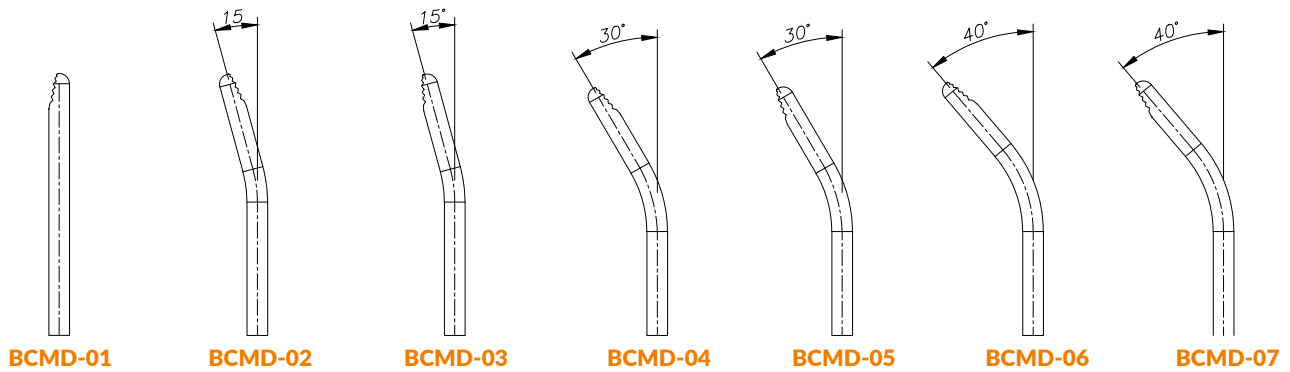
Disposable Line

## Cutting Microdebridement Cannula



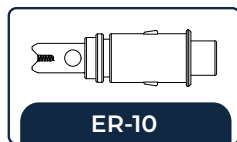
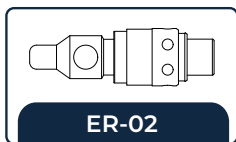
The cutting microdebridement cannula is used in minimally invasive surgeries, mainly in the areas of orthopedics and otolaryngology, to remove, cut, and/or debride soft or cartilaginous tissue in a precise and controlled manner.

### Models:



<b>A</b>	Outer Diameter	3,0 mm	3,5 mm	4,0 mm	4,5 mm
<b>B</b>	Length	95 mm		115 mm	

## Coupling Types



### Technical Information



ANVISA REGISTER  
80482499031



RAW MATERIAL  
STAINLESS STEEL



STERILIZATION  
ETHYLENE OXIDE



VALIDITY  
5 YEARS

