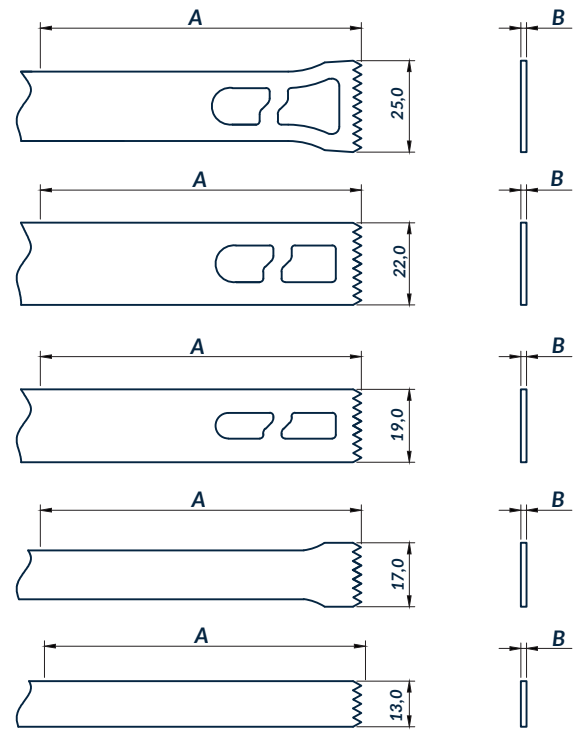
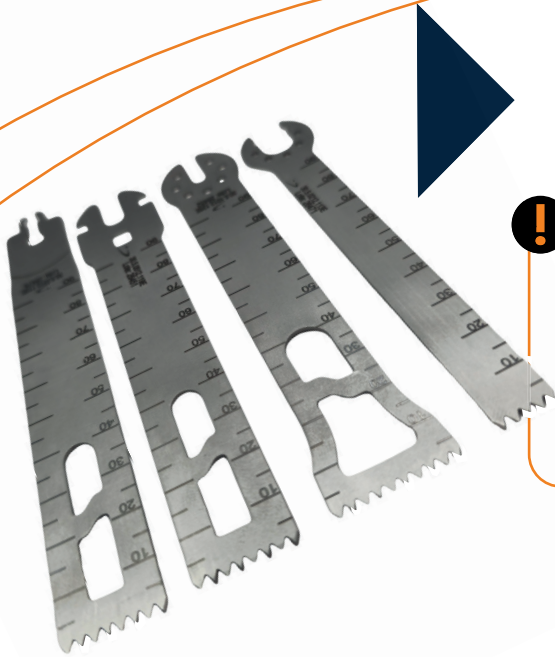


Disposable Line

Sagittal Orthopedic Saw (Hip and Knee)



The Sagittal Orthopedic Saw is used to perform osteotomies with high precision and control through oscillations in the longitudinal direction.



A

EFFECTIVE LENGHT

70 mm

90 mm

100 mm

B

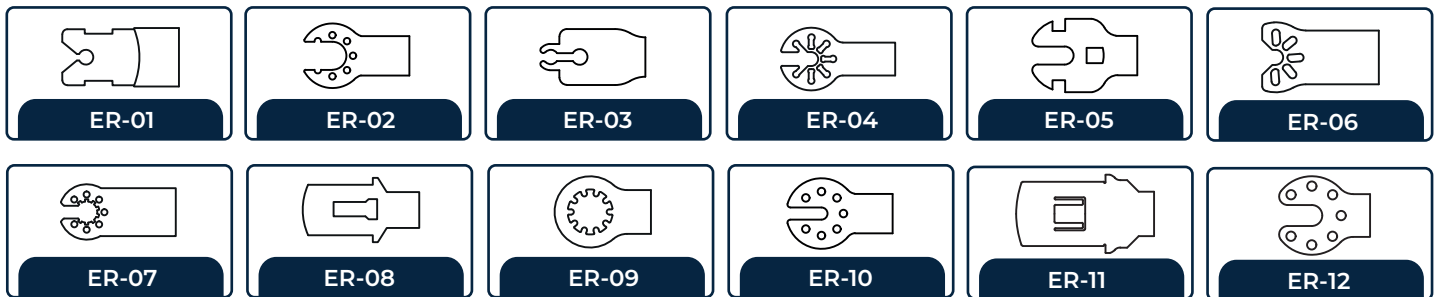
THICKNESS

0,9 mm

1,0 mm

1,2 mm

Coupling Types



Technical Information



ANVISA REGISTER
80482499015



RAW MATERIAL
STAINLESS STEEL



STERELIZATION
ETHYLENE OXIDE



VALIDITY
5 YEARS

